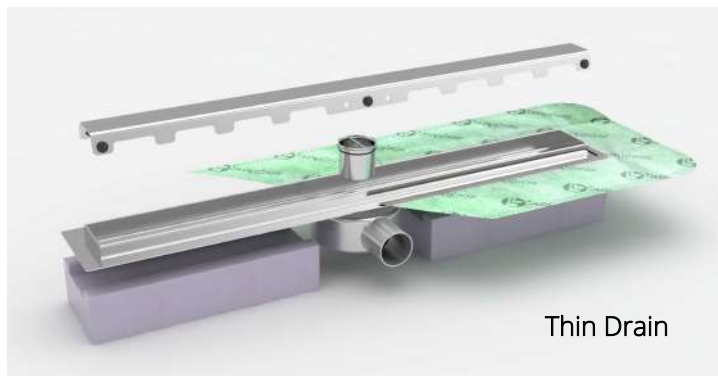


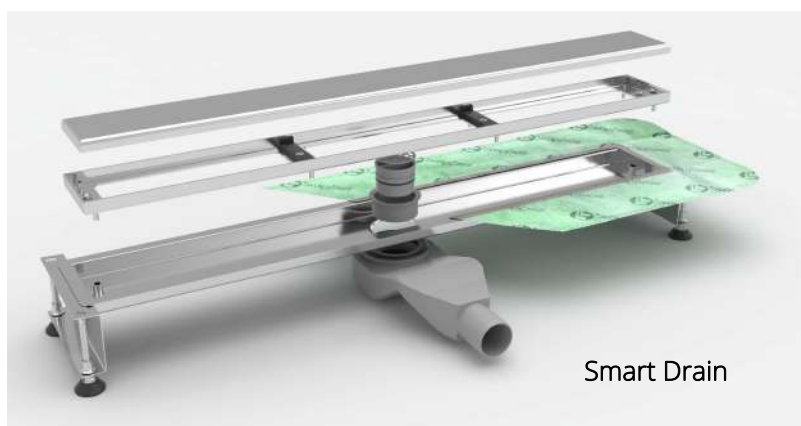
Profiles and accessories for bathrooms **PROFILPAS DRAIN**



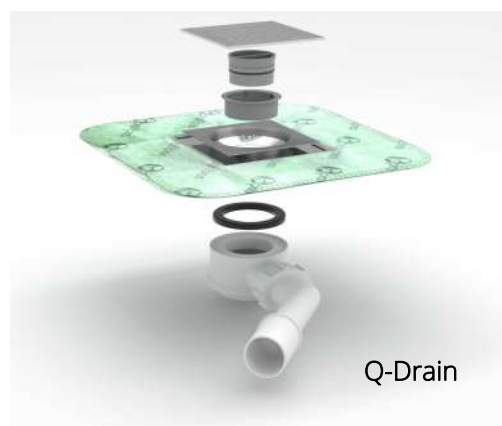
Slim Drain



Thin Drain



Smart Drain



Q-Drain

Description

Slim Drain, Smart Drain and Thin Drain are shower drains for flush-with-the-floor showers, between 55 and 75 mm high and suitable for ceramic tiles, natural stone or other coverings.
 Q-Drain is a line of point drainages for flush-with-the-floor showers, between 72 and 78 mm high and suitable for ceramic tiles, natural stone or other coverings.

Slim Drain are made of shaped stainless steel with an adjustable frame that is adaptable to the different coverings thicknesses from 7 to 12,5 mm through specific adjusting screws.

Slim Drain with horizontal drain towards the front side is provided with an anti-odor siphon in stainless steel integrated with the drain body, load 32 liters per minute; it has a space-saving flush-with-the-floor structure DN/OD 40 (40 mm) with a 65 mm-high stand and a length in view from 60 to 120 cm.

Slim Drain range is provided with integrated adjusting stands for leveling and with a waterproof membrane that is solidly glued to the external edge of the drain. This union guarantees a perfect integration of the same drain with the horizontal and vertical waterproofing system and allows to use all the drains both in central and in lateral position.

Furthermore, Slim Drain is available in the invisible versions (concealed stand) and can be tiled with coverings of different thicknesses.

Smart Drain are made of shaped stainless steel with an adjustable frame that is adaptable to the different coverings thicknesses from 7 to 12,5 mm through specific adjusting screws.

Smart Drain with horizontal drain is provided with an anti-odor siphon in PP to be installed on site, load 34 liters per minute; it has a space-saving flush-with-the-floor structure DN/OD 40 (40 mm) with a 75 mm-high stand and a length in view from 70 to 120 cm.

Smart Drain range is provided with integrated adjusting stands for leveling and with a waterproof membrane that is solidly glued to the external edge of the drain. This union guarantees a perfect integration of the same drain with the horizontal and vertical waterproofing system and allows to use all the drains both in central and in lateral position.

Furthermore, Smart Drain is available in the invisible versions (concealed stand) and can be tiled with coverings of different thicknesses.

Thin Drain are made of shaped stainless steel adaptable to 12,5 mm coverings thicknesses maximum.

Thin Drain with horizontal drain towards the front side is provided with an anti-odor siphon in stainless steel integrated with the drain body, load 26 liters per minute; it has a space-saving flush-with-the-floor structure DN/OD 40 (40 mm) with a 55 mm-high stand and a length in view from 60 to 120 cm.

Thin Drain range is provided with 2 polystyrene supports to be installed on site and with a waterproof membrane that is solidly glued to the external edge of the drain. This union guarantees a perfect integration of the same drain with the horizontal and vertical waterproofing system and allows to use all the drains both in central and in lateral position.

Q-Drain is a line of point drainages made of shaped stainless steel adaptable to 12,5 mm coverings thicknesses maximum.

Q-Drain is provided with an anti-odor siphon in PP to be installed on site, load 26 liters per minute; it has a space-saving flush-with-the-floor structure DN/OD 50 (50 mm) with a 72-78 mm-high stand and a size in view of 10 x 10 cm.

Q-Drain range is provided with a waterproof membrane that is solidly glued to the external edge of the drain. This union guarantees a perfect integration of the point drainages with the horizontal and vertical waterproofing system and allows to use all the drains both in central and in lateral position.

Furthermore, Q-Drain is available in the tile versions (concealed stand) and can be tiled with 10 mm coverings thicknesses maximum.

Materials

All the drains and point drainages are made of stainless steel AISI 304 DIN 1.4301 V2A. Moreover, Smart Drain in the version Smart3 is also available in stainless steel AISI 316 DIN 1.4404 V4A (for usage in spaces subject to chlorine and salt).

Drains and point drainages are provided with a waterproof membrane in soft polyethylene with a special polypropylene textile on both edges that assures an efficient fastening with the adhesive.

Siphons are in stainless steel AISI 304 DIN 1.4301 for the Slim Drain and Thin Drain version and in highly-resistant polypropylene for the Smart Drain and Q-drain version.

Frames and coverings are in stainless steel AISI 304 DIN 1.4301 or in stainless steel AISI 316 DIN 1.4404 for the Smart3 version.

Installation

1. Define the height of the flooring, by taking into account the slope for the water drainage.
2. Place the drain or the point drainages in the needed place and connect to the drainage network through a hose of proper diameter. Once the hose has been inserted, we suggest to test the tightness of the drain.
3. With the help of a level, level the shower drain or the point drainages by adjusting the height of the legs integrated (in the models with legs) through specific screws. With concrete, block up the integrated legs by taking into account that the perimetral flange must have an height that, once the floor has been laid, includes the tiles and adhesive thickness. In any case, installation has to be made considering the covering thickness.
4. Proceed with the completion of the sloping screed, by leveling flush with the upper edge of the drain or of the point drainages flange, taking care not to cut the pre-glued waterproof membrane.
5. The stand has to be smooth and without residuals that can compromise the adhesion.
6. In the case of thin-layer waterproof membrane (liquid membrane), proceed with the directions of the manufacturer after the laying of the corner and sealing tapes between the floor and the wall and between the wall and the wall (internal and external corners).
7. With WPSTOP waterproofing system, proceed with the directions given in the specific technical file by respecting the adjusting time of the adhesive.
8. Once the waterproofing system has been applied, proceed with the gluing of the covering by keeping it separated about 2 mm from the metal grill.
9. Using the appropriate keys, adjust the height of the metal structure (in the models with metal structure) and level it with the covering surface.
10. Seal with a specific sealant the joint between the tiles and the grill.
11. Apply the chosen cover inside the drain grill.
12. If you are using the invisible versions, proceed with the cut and the gluing of the covering on the cover included in the package, by taking care of maintaining a constant perimetral distance of 5 mm in order to allow the right water outflow inside the drain.

Care and maintenance

The care and maintenance of the materials used for the realisation of these equipments are closely linked to the type of alloy and/or used finishing.

The instructions below describe the operations to which it must submit the equipment in order to restore as much as possible its original appearance.

The intent of this is to provide all those general guidelines that can serve as guidelines in the choice of when and how to clean, but they will have to be checked case by case. It must be underlined that there are already precise specifications responsibility at every stage of product life since its installation.

Stainless Steel

The stainless surfaces can be polished with the adequate products, commonly found in stores.

Stainless steel is easy to clean and extremely hygienic; its smooth and non-porous surface makes it especially difficult for the adhesion and survival of bacteria and/or other micro-organisms.

Some simple guidelines are all that is required to keep steel surfaces perfectly cared for: it suffices to wash with hot water and soap, rinsing abundantly and drying with a soft cloth.

If the surface is exposed to atmospheric or aggressive agents, periodic cleaning of the stainless profile is recommended in order to keep the surface unaltered and prevent the onset of corrosion. On brushed finish surfaces, always clean in the direction of the grain and never across it. For scratches, use a detergent/polish suitable for stainless steel and a soft cloth.

Under no circumstances should the following be used for cleaning:

- detergents containing hydrochloric acid (muriatic acid), hydrofluoric acid or bleach; avoid direct contact on the surface of detergents containing chlorine, unless the contact time is brief and followed up by an immediate rinsing with abundant amount of water;
- detergents in abrasive powder form that could damage the surface finish of the profile.

Avoid allowing objects and tools in common steel (e.g. brushes or steel wool normally used to remove residual mortar or similar products) to come into contact with profiles in stainless steel for a prolonged period, otherwise they could transfer ferrous particles (contamination), causing the appearance of rust stains on the surface.

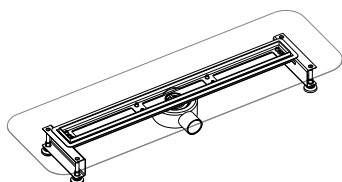
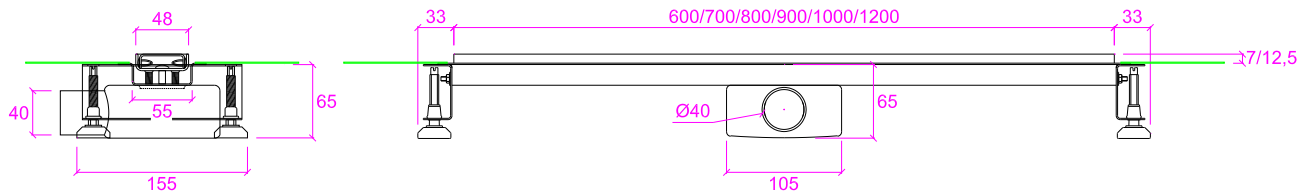
Prevent humid pieces of material or sponges to lay for a prolonged period of time in contact with the stainless steel surface in order to prevent unsightly water stains.


Fire Control Measures

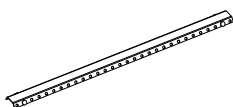
In case of fire, extinguish with fire-fighting chemical products, dry sand or solid fire-extinguishing agents.


Note

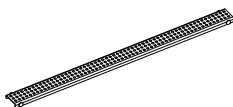
These equipments must be handled with care, taking the necessary steps to use suitable gloves to prevent wounds such as cuts to the hand. All indications and instructions here have come from our own experience to be understood as purely informative and will have to be confirmed through exhaustive practical experience. Profilpas will not be held responsible for any personal injury or material damage from improper use of the product. The user is responsible for establishing whether the product is suitable for the task and likewise must assume all responsibility for incorrect laying of material.


Slim Drain

SLIM DRAIN - BASE - pack 10 pcs

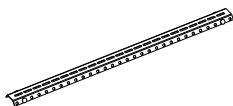
ART.	finishing	60 cm	70 cm	80 cm	90 cm	100 cm	120 cm
STAINLESS STEEL							
SLIM/	stainless steel AISI 304 DIN 1.4301		19504	19506	19508	19510	19512


CLASSIC COVER - pack 10 pcs

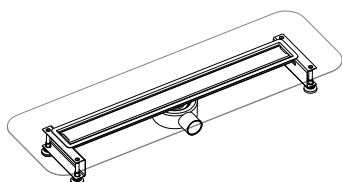
ART.	finishing	60 cm	70 cm	80 cm	90 cm	100 cm	120 cm
STAINLESS STEEL							
XSC/	satin stainless steel AISI 304 DIN 1.4301		19524	19526	19528	19530	19532
	polished stainless steel AISI 304 DIN 1.4301		19523	19525	19527	19529	19531


CUBE COVER - pack 10 pcs

ART.	finishing	60 cm	70 cm	80 cm	90 cm
STAINLESS STEEL					
XSCC/	stainless steel AISI 304 DIN 1.4301		19544	19546	19548


SINGLE LINE COVER - pack 10 pcs

ART.	finishing	60 cm	70 cm	80 cm	90 cm
XSL/	polished stainless steel AISI 304 DIN 1.4301		19563	19565	19567

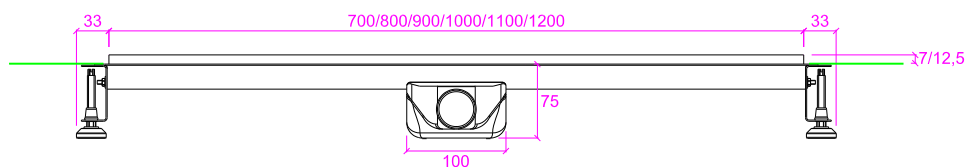
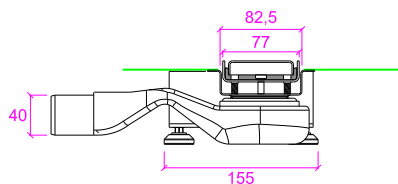

SLIM INVISIBLE - BASE + COVER - pack 10 pcs

ART.	finishing	60 cm	70 cm	80 cm	90 cm
SLIM-I/	stainless steel AISI 304 DIN 1.4301		19505	19507	19509



SLIM INVISIBLE

Smart Drain



SMART DRAIN - BASE - pack 10 pcs

ART.	finishing	70 cm	80 cm	90 cm	100 cm	110 cm	120 cm
STAINLESS STEEL							
SMART/	stainless steel AISI 304 DIN 1.4301		19704	19706	19708	19710	19712
SMART3/	stainless steel AISI 316 DIN 1.4404		19715	19716	19717	19718	-

CLASSIC COVER - pack 10 pcs

ART.	finishing	70 cm	80 cm	90 cm	100 cm	110 cm	120 cm
STAINLESS STEEL							
XLC/	satin stainless steel AISI 304 DIN 1.4301		19724	19726	19728	19730	19732
	polished stainless steel AISI 304 DIN 1.4301		19723	19725	19727	19729	19731
XLC3/	satin stainless steel AISI 316 DIN 1.4404		19741	19742	19743	19744	-

CUBE COVER - pack 10 pcs

ART.	finishing	70 cm	80 cm	90 cm	100 cm	110 cm	120 cm
STAINLESS STEEL							
XLCC/	satin stainless steel AISI 304 DIN 1.4301		19764	19766	19768	19770	19772

DOUBLE LINE COVER - pack 10 pcs

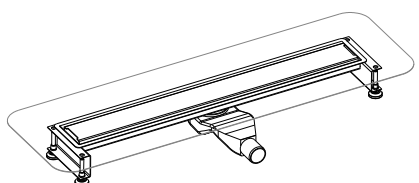
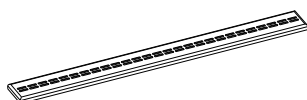
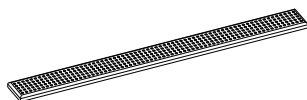
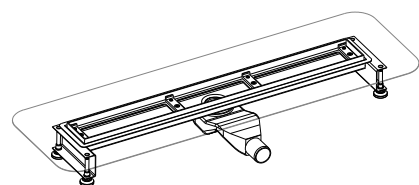
ART.	finishing	70 cm	80 cm	90 cm	100 cm	110 cm	120 cm
STAINLESS STEEL							
XLL/	polished stainless steel AISI 304 DIN 1.4301		19783	19785	19787	19789	19791

SMART INVISIBLE - BASE + COVER - pack 10 pcs

ART.	finishing	70 cm	80 cm	90 cm	100 cm	110 cm	120 cm
STAINLESS STEEL							
SMART-I/	stainless steel AISI 304 DIN 1.4301		19703	19705	19707	19709	19711

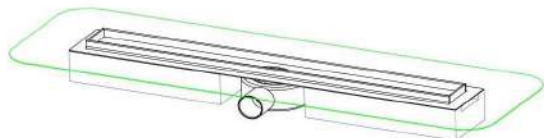
SMART - LARGER DRAIN (0,65 l/sec.) - pack 1 pcs

ART.	finishing	70 cm	80 cm	90 cm	100 cm	110 cm	120 cm
SMART/SP	PLUS drain for SMART shower drains				19620		



SMART INVISIBLE

Thin Drain



THIN DRAIN - BASE - pack 10 pcs

ART.	finish	60 cm	70 cm	80 cm	90 cm	100 cm	120 cm
STAINLESS STEEL							
THIN/	stainless steel AISI 304 DIN 1.4301	19400	19401	19402	19403	19404	19405



CLASSIC COVER - pack 10 pcs

ART.	finish	60 cm	70 cm	80 cm	90 cm	100 cm	120 cm
STAINLESS STEEL							
XTC/	satin stainless steel AISI 304 DIN 1.4301	19410	19412	19414	19416	19418	19420
	polished stainless steel AISI 304 DIN 1.4301	19411	19413	19415	19417	19419	19421



CUBE COVER - pack 10 pcs

ART.	finish	60 cm	70 cm	80 cm	90 cm
STAINLESS STEEL					
XTCC/	satin stainless steel AISI 304 DIN 1.4301	19430	19431	19432	19433



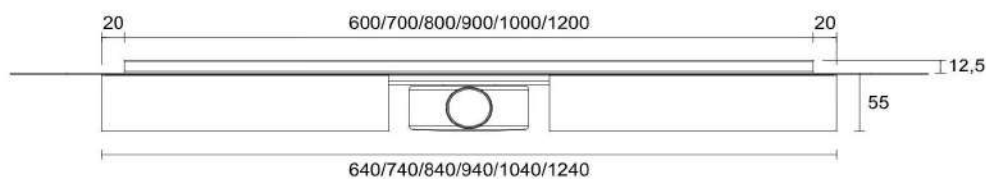
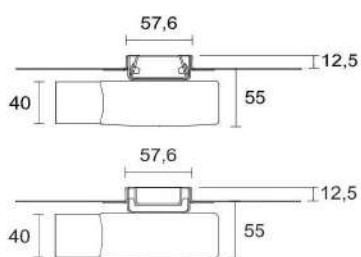
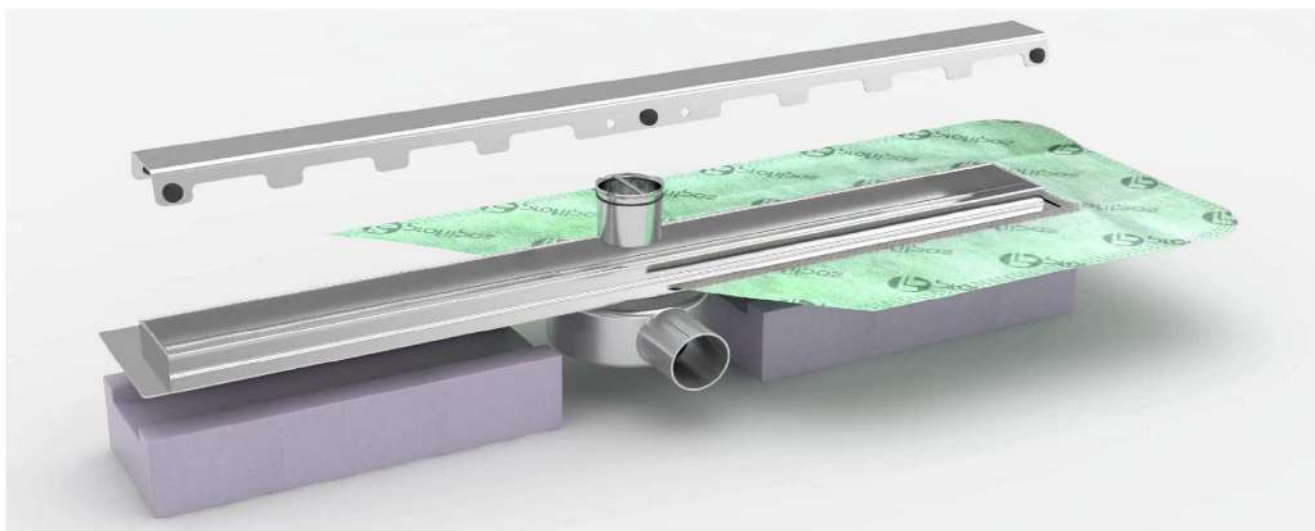
SINGLE LINE COVER - pack 10 pcs

ART.	finish	60 cm	70 cm	80 cm	90 cm
STAINLESS STEEL					
XTL/	polished stainless steel AISI 304 DIN 1.4301	19440	19441	19442	19443



TILE COVER - pack 10 pcs

ART.	finish	60 cm	70 cm	80 cm	90 cm
STAINLESS STEEL					
XTT/	stainless steel AISI 304 DIN 1.4301	19450	19451	19452	19453



Q-Drain

Q DRAIN CLASSIC - pack 10 pcs

ART.	finish	10x10 cm
STAINLESS STEEL		
floor with 12,5 mm thickness		
QDC/1010	satin stainless steel	19850
	polished stainless steel	19851
AISI 304 DIN 1.4301		


Q DRAIN CUBE - pack 10 pcs

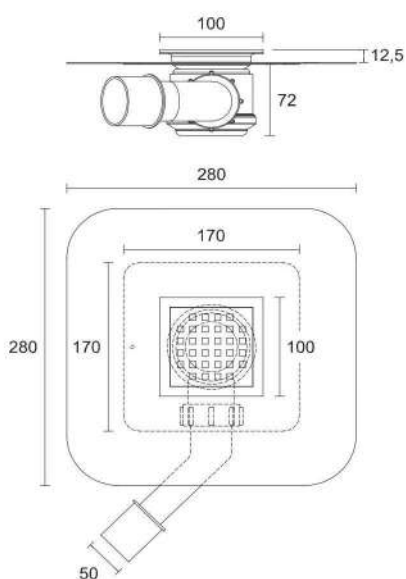
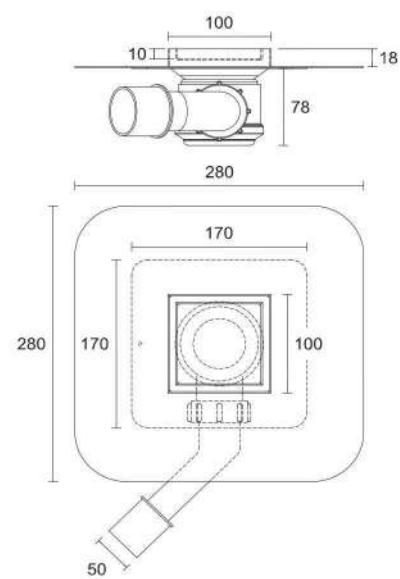
ART.	finish	10x10 cm
STAINLESS STEEL		
floor with 12,5 mm thickness		
QDCC/1010	satin stainless steel	19852
	polished stainless steel	19853
AISI 304 DIN 1.4301		


Q DRAIN LINE - pack 10 pcs

ART.	finish	10x10 cm
STAINLESS STEEL		
floor with 12,5 mm thickness		
QDL/1010	satin stainless steel	19854
	polished stainless steel	19855
AISI 304 DIN 1.4301		


Q DRAIN TILE - pack 10 pcs

ART.	finish	10x10 cm
STAINLESS STEEL		
floor with 10 mm thickness		
QDI/1010	stainless steel	19856
	AISI 304 DIN 1.4301	


Q DRAIN

Q DRAIN TILE